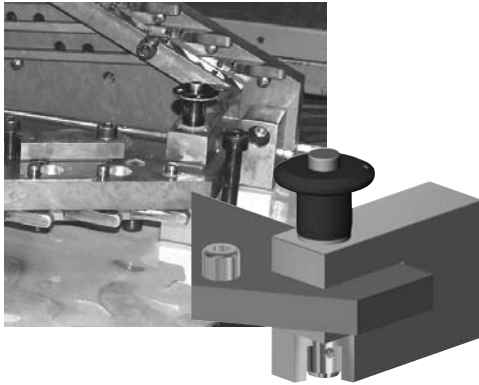


## Diverse Application Needs



### Manufacturing:

Jigs and Fixturing  
Packaging Machinery  
Paper Mills/Machinery  
Conveyor Systems  
Material Handling Equipment  
Textile Machinery  
Forming and Fabricating Equipment  
Plastic Injection Molding

### Medical Equipment:

Hospital Beds and Cots  
Medical Equipment  
Portable X-Ray Equipment  
Wheelchairs

### Recreational Industry:

Hot Air Balloons  
Recreational Vehicles  
Racing Cars  
(hoods, transmissions,  
steering wheels)  
Weight Machines  
Jet Skis  
Hang Gliders  
Mountain Climbing Equipment



### Aviation/Military:

Tank Doors and Lids  
(Various process industries)  
Landing Gear  
Drop Tanks  
Ordinance  
Cargo Nets  
Aircraft Seating  
Aerial Spraying Equipment  
Gliders

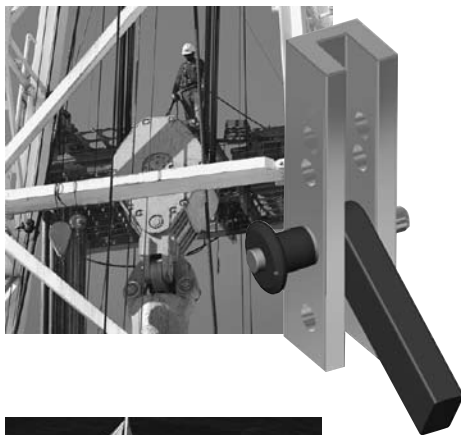
### Marine Industry

#### (Recreation/Commercial):

Anchors  
Bimini Covers  
Outriggers  
Boat Trailers  
Rudder/Tiller Attachments  
Sailboat Rigging  
Commercial Boat Rigging

### General Industrial:

Scaffolding Equipment  
Mining Equipment  
Drilling Equipment  
Lifting Equipment  
(Hoists, Slings, Cables, etc.)  
Trailer Beds



## Need a Special Size or Configuration?

See page 9.27 and contact Jergens for more information.

3D solid models available in SolidWorks® (.SLDPRT) and other formats, downloadable from [www.jergensinc.com](http://www.jergensinc.com).

SolidWorks® is a registered trademark of SolidWorks Corporation.

