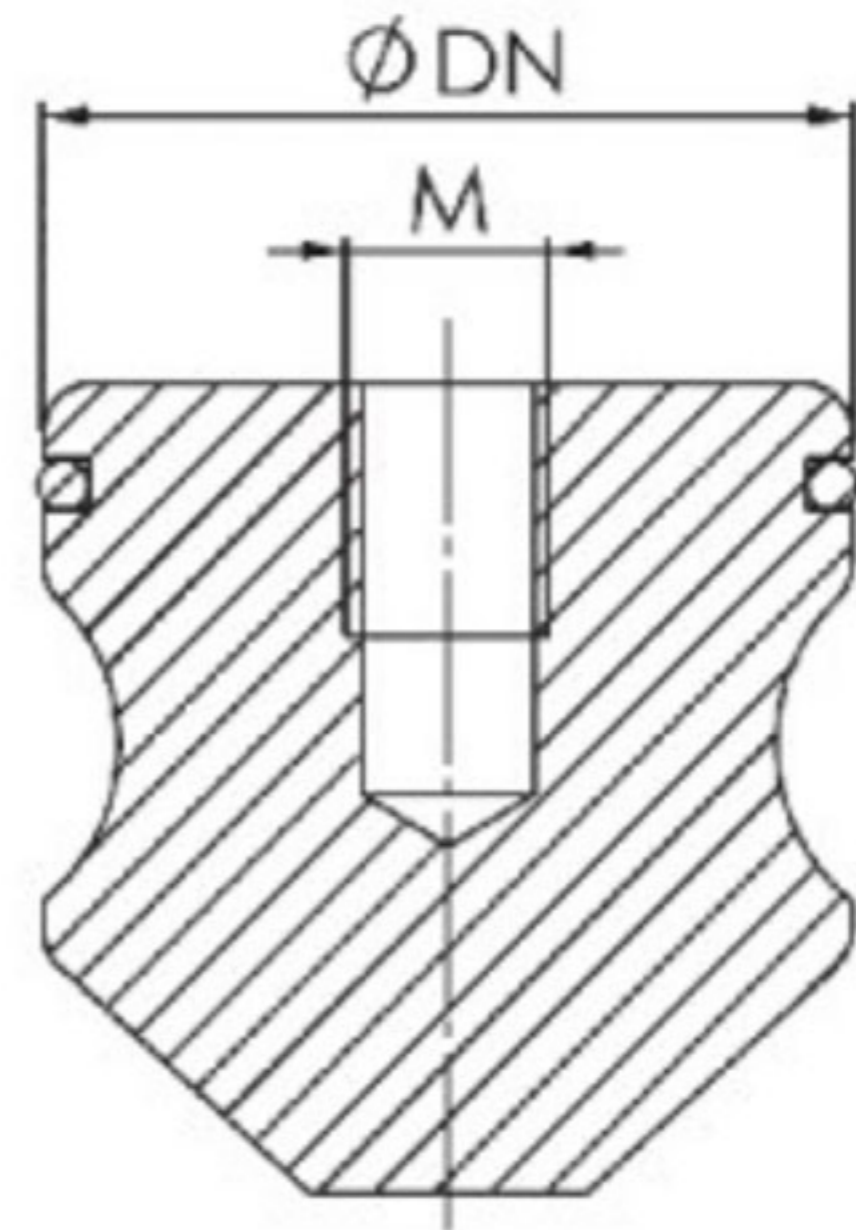


Zero Point Timing Clearance



Protection Pull Stud