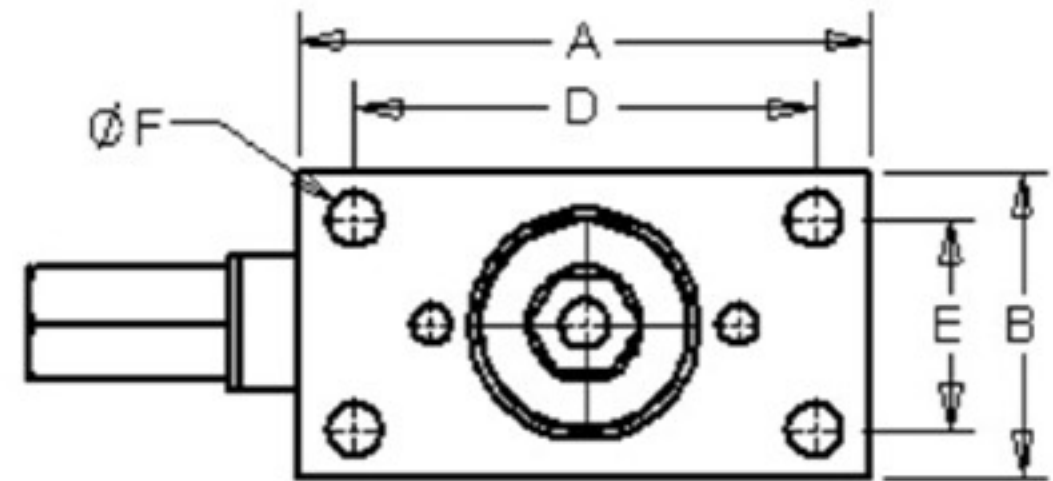
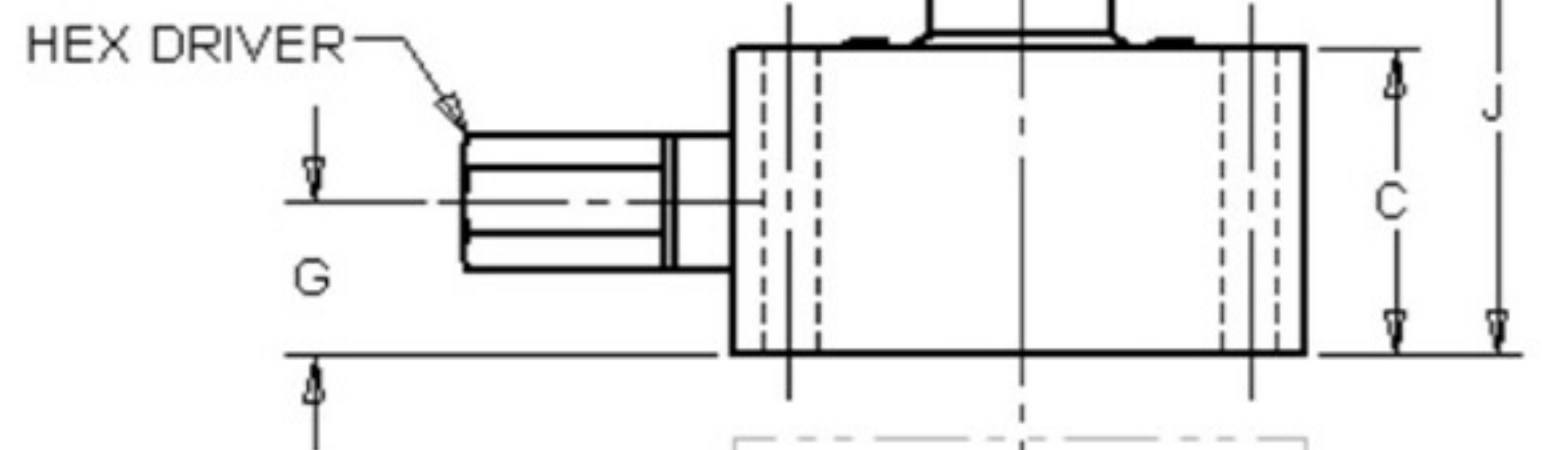


Ø .69 X .32 DEEP
IN FIXTURE FOR
POST TRAVEL



REST BUTTON
METAL DUST CAP
H TAP .75



RISER OPTIONAL FOR
PART NO. 25207
1/4" - PT. NO. 25211
1/2" - PT. NO. 25212
3/4" - PT. NO. 25213



IF RISERS ARE NOT USED,
HOLE MUST BE PROVIDED
IN FIXTURE BASE
Ø1.12 X .50 DEEP

PART NO. 25201

