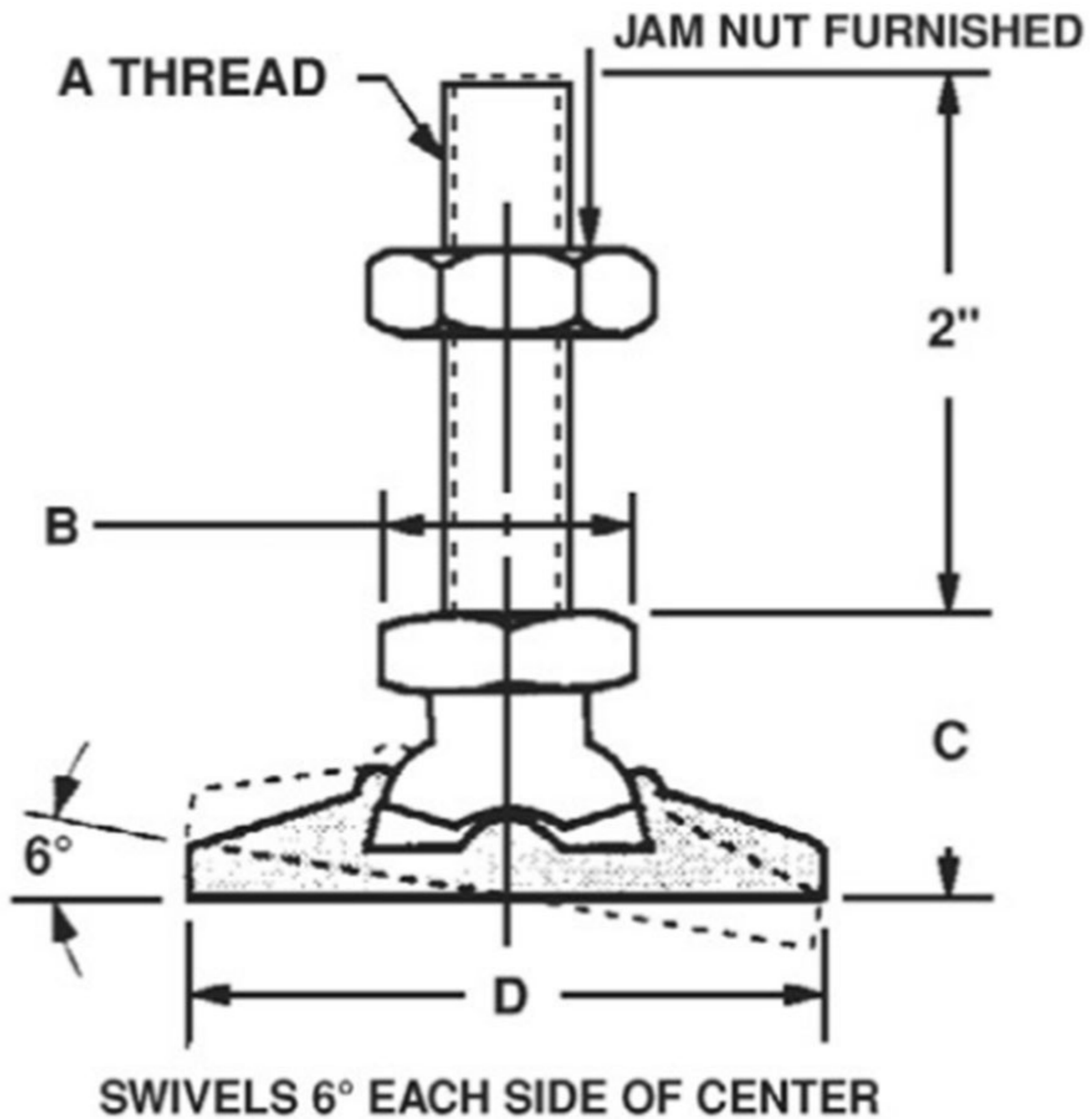


Inch



# Metric

