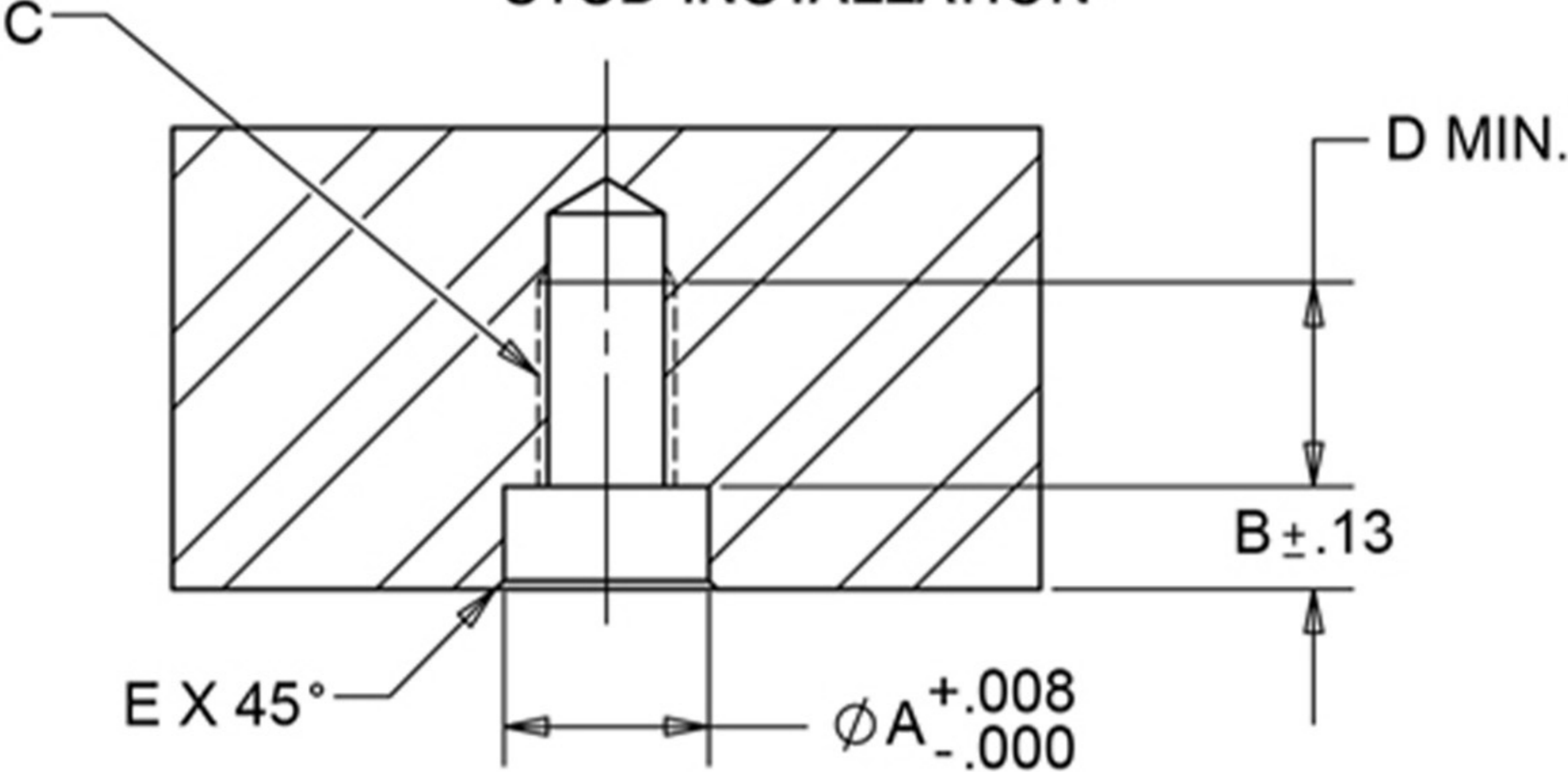


STUD INSTALLATION



**tolerances in millimeters*