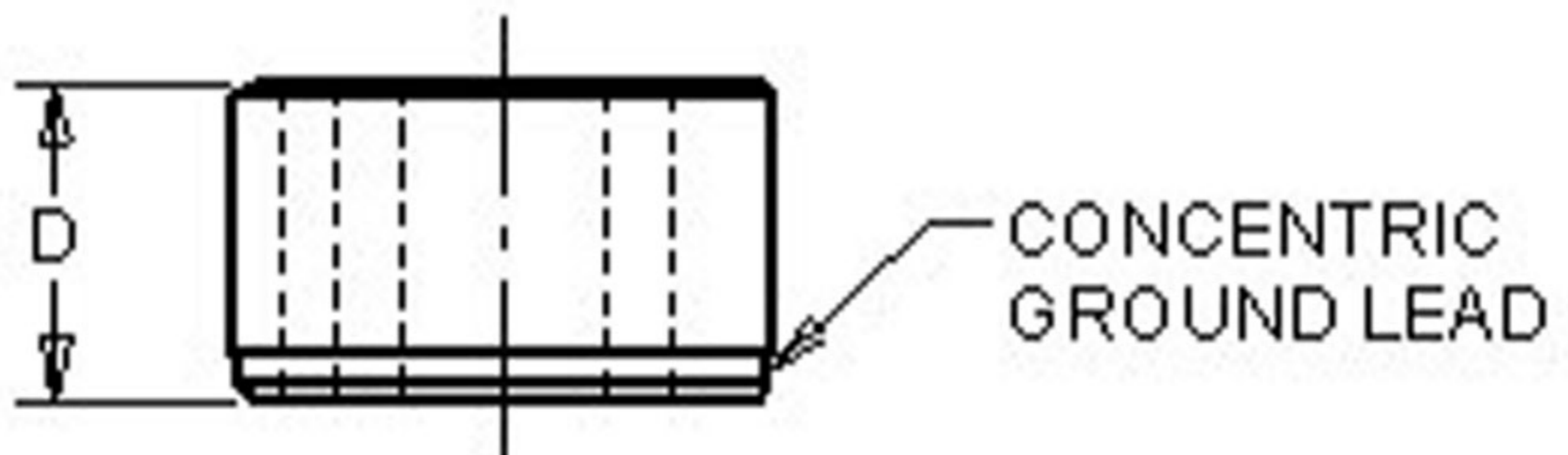
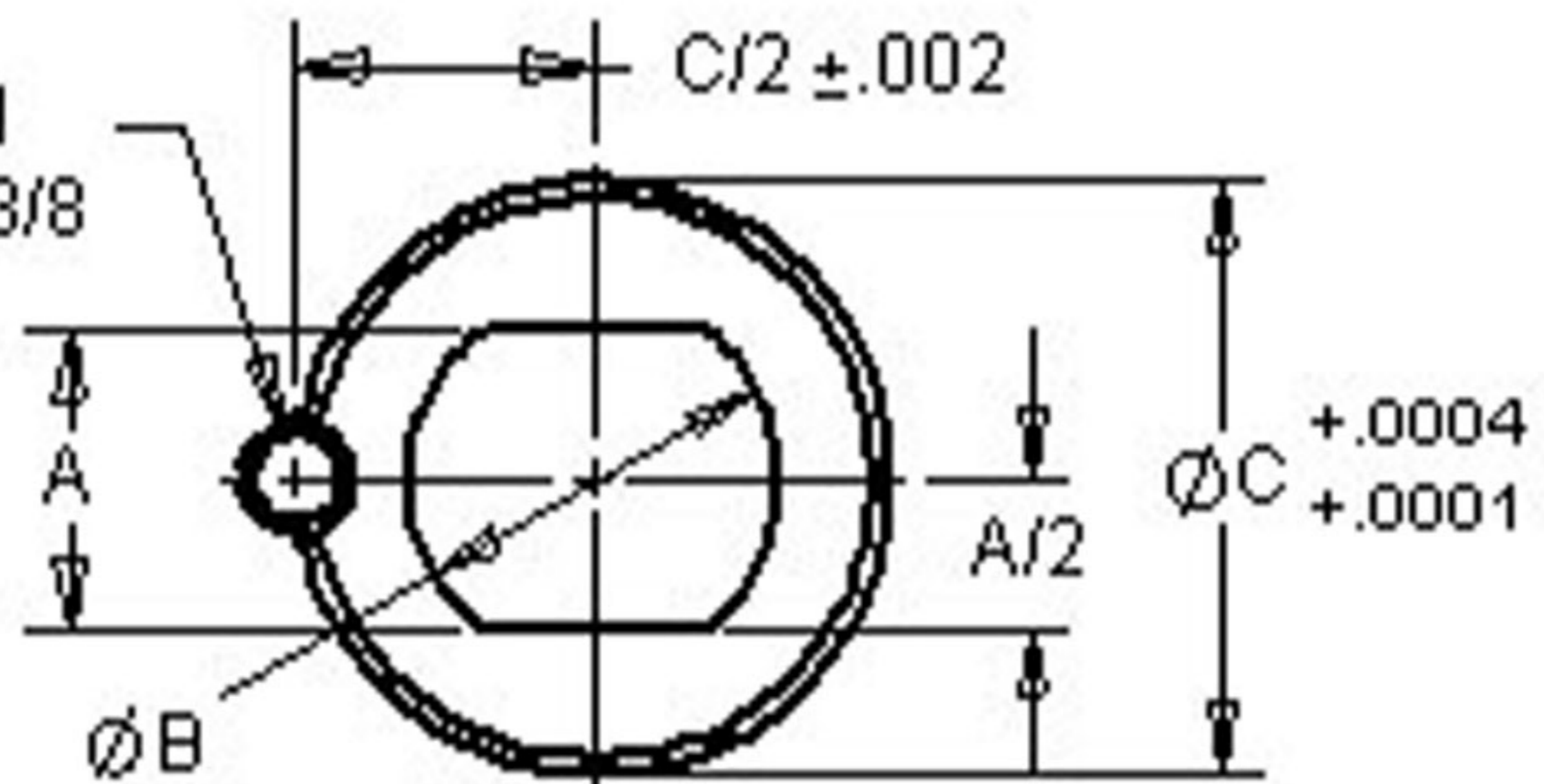


ROLL PIN  
Ø 3/16 X 3/8



A Dimension Centered  
Within  $\pm .0002$  of C Dia.