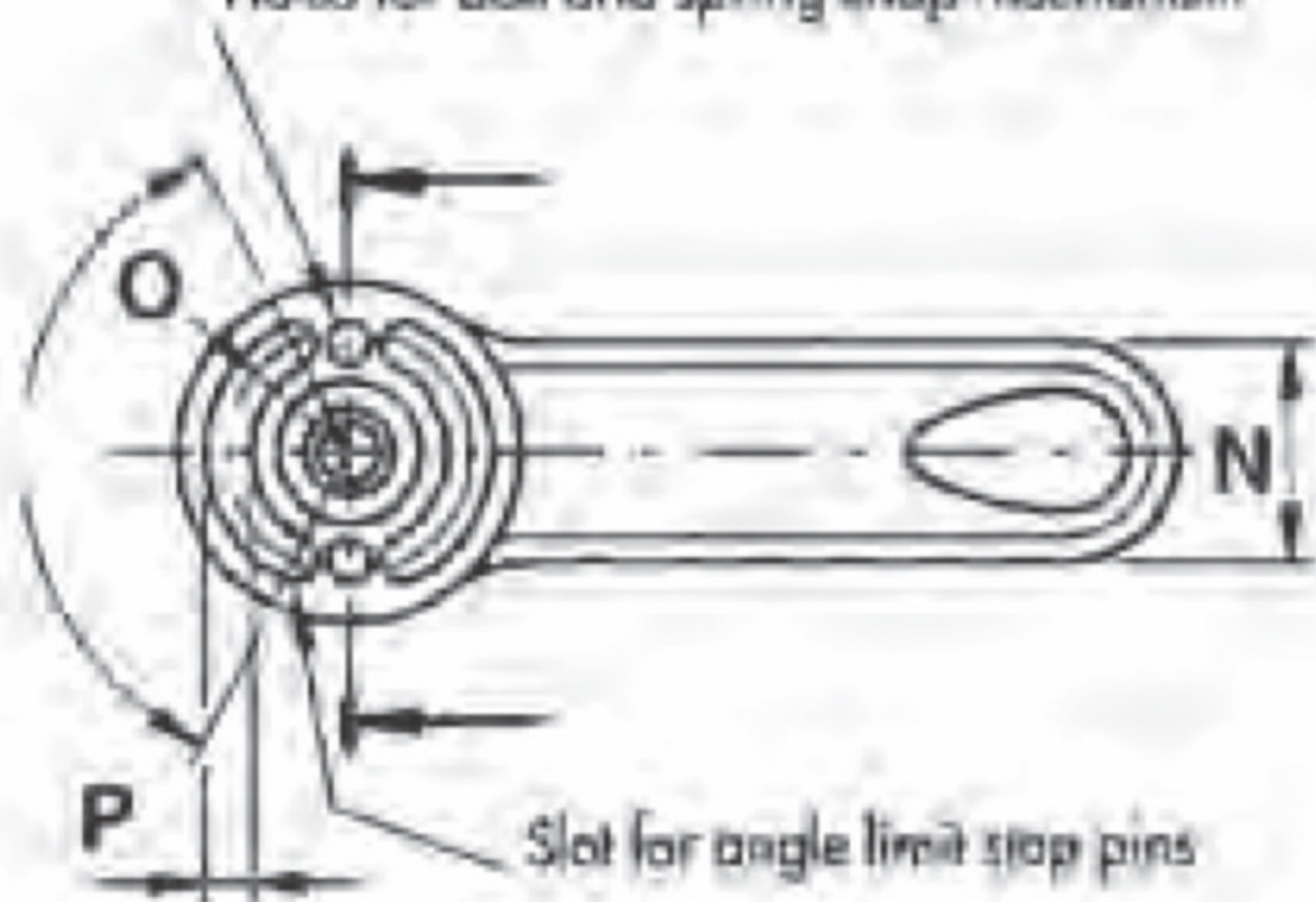


Holes for ball and spring snap mechanism



Slot for angle limit stop pins

