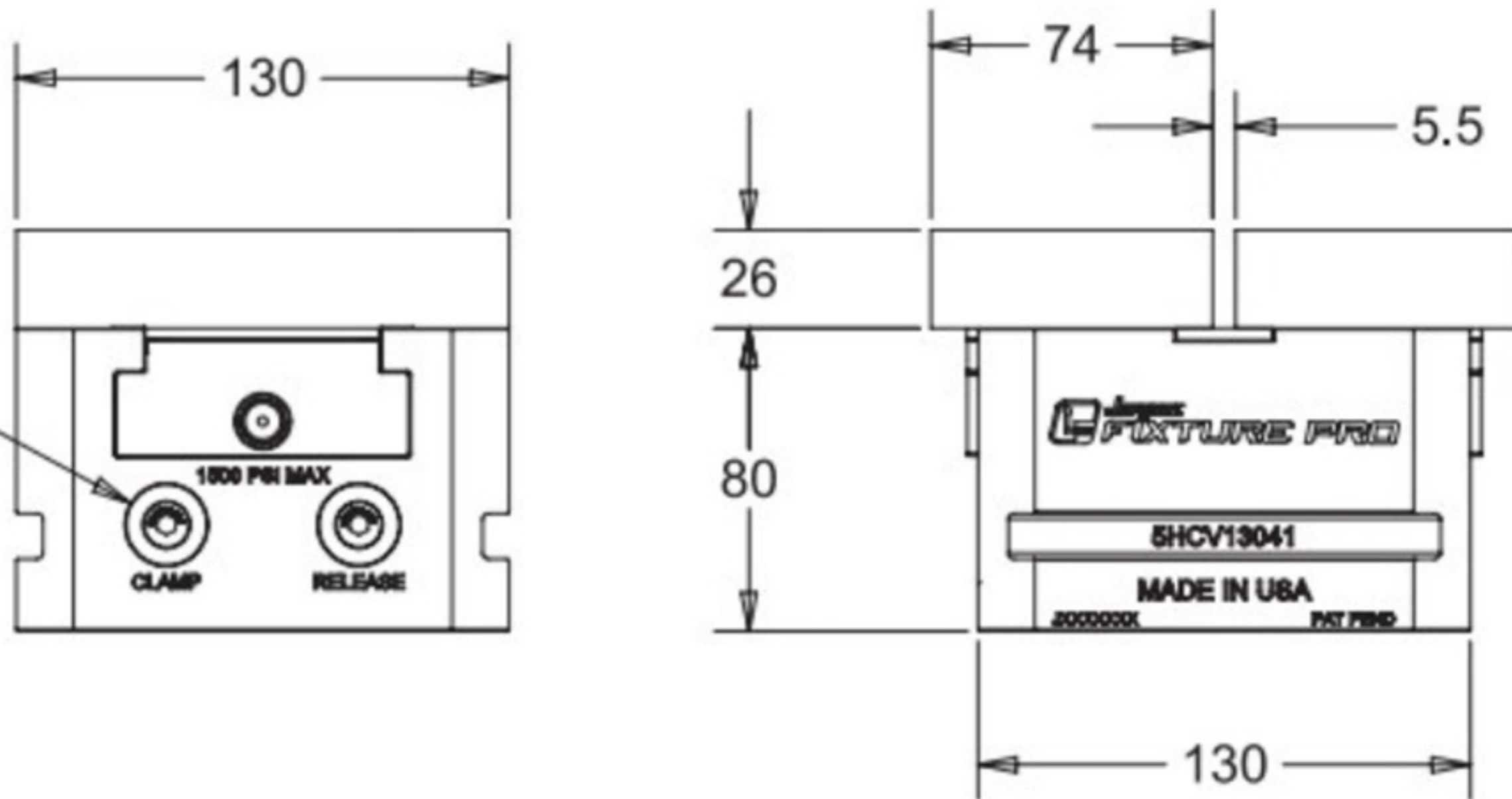


SIDE PORTS
7/16-20 (#4 SAE)



BOTTOM VIEW

