



# Jergens<sup>®</sup>

## 300 SERIES QUICK RELEASE PIN





## 300-SERIES QUICK RELEASE PIN

A commercial grade pin for strength and versatility.

These commercial-grade quick release pins deliver fast and repeatable connections in many applications. Made from corrosion-resistant 300 series stainless steel, these pins are built for long-lasting durability and ease of use. A simple push-button and ball-lock mechanism allows for positive engagement and release.

### INDUSTRIES

#### Industrial

Factories, manufacturing facilities, power plants, refineries, warehouses, loading centers

#### Commercial

Offices, restaurants, hotels, stores, gyms, hospitals, shopping plazas, entertainment venues

### WHY 300 STAINLESS STEEL

#### Corrosion Resistance

300 series stainless steel is resistant to corrosion, pitting and wear.

#### Strength

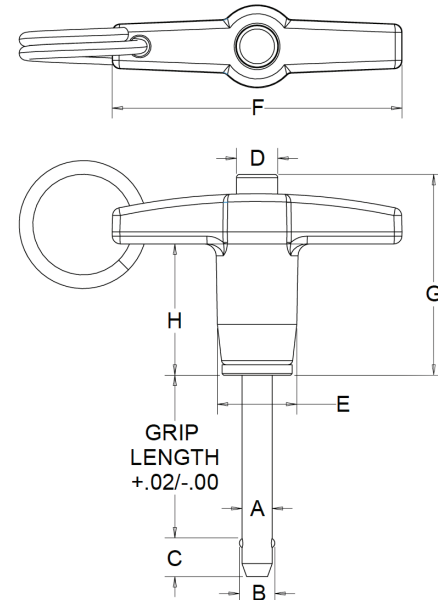
300 series stainless steel is strong and can withstand extreme conditions.

#### Versatility

300 series stainless steel is one of the most common steels and can be used in a variety of applications.



### 300 SERIES T-HANDLE QUICK RELEASE PIN



**Body Material:** 300 Series Stainless  
**Button Material:** Aluminum Alloy  
**Handle Material:** Aluminum Alloy  
**Handle Color:** Blue  
**Certifications:** NA  
 Lanyards available for purchase separately

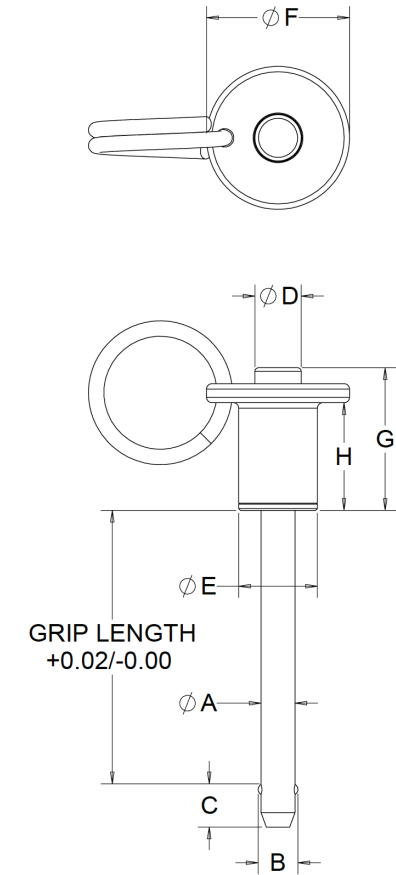
- Min 250 piece order for special sizes
- Metric sizes available 100 pcs per size

DIA	A MIN	A MAX	B +/- .005	C +0.00/-0.04	D MIN	D MAX	E MIN	E MAX	F MIN	F MAX	G MAX	H MIN
3/16	0.1875	0.1885	0.220	0.260	0.250	0.310	0.380	0.500	1.750	1.815	1.270	0.700
1/4	0.2470	0.2485	0.289	0.290	0.250	0.310	0.380	0.500	1.750	1.815	1.270	0.700
5/16	0.3095	0.3110	0.375	0.330	0.250	0.310	0.380	0.500	1.750	1.815	1.270	0.700
3/8	0.3720	0.3735	0.440	0.365	0.300	0.390	0.510	0.625	1.935	2.065	1.450	0.850
1/2	0.4970	0.4985	0.594	0.460	0.435	0.565	0.630	0.800	2.220	2.345	1.600	0.885

DIA	0.5	0.75	1	1.25	1.5	1.75	2	2.25	2.5	3	3.5	4	4.5	5
3/16	801000-300	801001-300	801002-300	801003-300	801004-300	801005-300	801006-300	801007-300	801008-300	801009-300	801010-300	801011-300	801012-300	801013-300
1/4	801016-300	801017-300	801018-300	801019-300	801020-300	801021-300	801022-300	801023-300	801024-300	801025-300	801026-300	801027-300	801028-300	801029-300
5/16	801032-300	801033-300	801034-300	801035-300	801036-300	801037-300	801038-300	801039-300	801040-300	801041-300	801042-300	801043-300	801044-300	801045-300
3/8	801048-300	801049-300	801050-300	801051-300	801052-300	801053-300	801054-300	801055-300	801056-300	801057-300	801058-300	801059-300	801060-300	801061-300
1/2	801080-300	801081-300	801082-300	801083-300	801084-300	801085-300	801086-300	801087-300	801088-300	801089-300	801090-300	801091-300	801092-300	801093-300

Metric sizes available - 100 pcs per sizes order quantity

### 300 SERIES BUTTON HANDLE QUICK RELEASE PIN



**Body Material:** 300 Series Stainless  
**Button Material:** Aluminum Alloy  
**Handle Material:** Aluminum Alloy  
**Handle Color:** Blue  
**Certifications:** NA  
 Lanyards available for purchase separately

- Min 250 piece order for special sizes
- Metric sizes available 100 pcs per size

DIA	A MIN	A MAX	B +/- .005	C +0.00/-0.04	D MIN	D MAX	E MIN	E MAX	F MIN	F MAX	G MAX	H MIN
3/16	0.1875	0.1885	0.220	0.260	0.250	0.310	0.310	.500	0.720	0.800	.890	0.480
1/4	0.2470	0.2485	0.289	0.290	0.250	0.310	0.310	.500	0.720	0.800	0.890	0.480
5/16	0.3095	0.3110	0.375	0.330	0.250	0.310	0.410	.500	.720	1.135	.950	0.480
3/8	0.3720	0.3735	0.440	0.365	0.300	0.390	0.450	.625	0.875	1.135	1.140	0.620
1/2	0.4970	0.4985	0.594	0.460	0.435	0.565	0.600	0.725	1.300	1.400	1.260	0.720

DIA	0.5	0.75	1	1.25	1.5	2	2.5	3	3.5	4
3/16	800600-300	800601-300	800602-300	800603-300	800604-300	800606-300	800608-300	800609-300	800610-300	800611-300
1/4	800616-300	800617-300	800618-300	800619-300	800620-300	800622-300	800624-300	800625-300	800626-300	800627-300
5/16	800632-300	800633-300	800634-300	800635-300	800636-300	800638-300	800640-300	800641-300	800642-300	800643-300
3/8	800648-300	800649-300	800650-300	800651-300	800652-300	800654-300	800656-300	800657-300	800658-300	800659-300
1/2	800680-300	800681-300	800682-300	800683-300	800684-300	800686-300	800688-300	800689-300	800690-300	800691-300

Metric sizes available - 100 pcs per sizes order quantity



# DIFFERENCES BETWEEN 300 SERIES & KWIK-LOK® PINS

## 300-SERIES QUICK RELEASE PINS



Application Strength	Commercial Grade
Body Material	300 Series Stainless Steel
Handle Material & Color	Blue Aluminum Alloy Anodized Handle
Button Material & Color	Black Aluminum Alloy Button
Styles Available	"T" Handle or Button Handle Styles

## KWIK-LOK® PINS



Application Strength	MS/NAS Variations
Body Material	17-4pH Stainless Steel
Handle Material & Color	Black Aluminum Handle
Button Material & Color	Blue Aluminum Anodized Button
Styles Available	"T" Handle, "L" Handle, Button Handle and Ring Handle Styles

VS

### Shear Resistance - 300 Series

DIA	Double Shear Resistance Min (lbs)	2 Ball Locking Tensile Strength Min (lbs)	Recommended Hole Diameter (In)	
			Max	Min
3/16	1,100	200	0.1940	0.1900
1/4	2,200	230	0.2540	0.2500
5/16	3,500	510	0.3165	0.3125
3/8	4,500	575	0.3790	0.3750
1/2	9,000	1,160	0.5050	0.5000

### Shear Resistance - KWIK-LOK® PINS

DIA	Double Shear Resistance Min (lbs)	2 Ball Locking Tensile Strength Min (lbs)	Recommended Hole Diameter (In)	
			Max	Min
3/16	5,150	200	0.1940	0.1900
1/4	9,200	230	0.2540	0.2500
5/16	14,400	510	0.3165	0.3125
3/8	20,700	575	0.3790	0.3750
7/16	28,500	710	0.4425	0.4375
1/2	36,900	1,160	0.5050	0.5000
9/16	46,700	1,420	0.5675	0.5625
5/8	57,800	2,070	0.6300	0.6250
3/4	83,200	2,950	0.7570	0.7500
7/8	112,500	3,900	0.8820	0.8750
1	147,200	5,480	1.0100	1.0000

# Jergens®

## WORLD HEADQUARTERS

15700 S. WATERLOO ROAD  
CLEVELAND, OH 44110-3898

 866.KWIK.LOK (594-5565)

 [JERGENSINC.COM/SPECIALTY-FASTENERS](http://JERGENSINC.COM/SPECIALTY-FASTENERS)

 [FASTENERS@JERGENSINC.COM](mailto:FASTENERS@JERGENSINC.COM)

DISTRIBUTED BY:



WORKHOLDING SOLUTIONS



SPECIALTY FASTENERS



LIFTING SOLUTIONS

©2025 JERGENS, INC. | JERG082025

