



NEW

Jergens **LIFT-CHECK™** HOIST RINGS

Take the doubt out... with Jergens' built-in Tension Indication System

The NEW Jergens Lift-Check™ hoist ring assures that your application is secure and ready to lift. The Lift-Check™ is comprised of a Jergens' patent pending proprietary hex head cap screw which integrates the Visual Tension Indicator.

- » Patent pending Lift-Check™ Center Pull Hoist Rings are rated at 5:1 strength Factor & Proof tested to 200% of rated load capacity, certificate of proof test provided, in accordance with ASME B30.26.
- » Visual Tension Indicator confirms engagement – clearly illustrates whether bolt joint is loose or tight.
- » Ensures safety and provides accuracy of +/- 10% of designed tension
- » Hands-free inspection at a distance, prior to the lift
- » Reduces installation time
- » No torque wrench or calibration needed
- » Patent pending Lift Check™ Bolt conforms to the chemical and physical requirements of ASTM A574 standards
- » Lift-Check™ bolts are reusable and provide reliable visual indication of joint clamping force. Bolt kits available for Jergens hoist ring upgrades.

» **MADE IN THE**
USA

Lift-Check™ hoist rings are part of a full range of lifting solutions that include other hoist rings styles, adjustable chain sling, pivoting lifting rings, eye nuts, shoulder and swivel eye bolts and hold down clips.



RED INDICATES
LOOSE



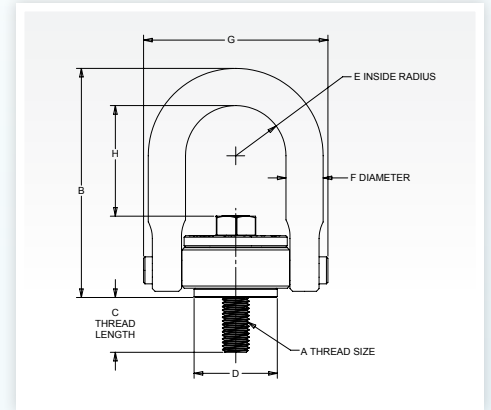
BLACK INDICATES
TIGHT





Lift-Check™ Hoist Rings

- » Center Pull Hoist Rings are rated at 5:1 strength Factor & Proof tested to 200% of rated load capacity, in accordance with ASME B30.26*.
- » Full 360° Swivel and 180° Pivot Action
- » Material: Alloy Steel
- » Finish: Black Oxide (Except Washer and Bolt)
- » Washer and Bolt: Zinc Plated
- » U-Bar, Bolt, Pins, Base, Washer and Bushing are Magnetic Particle Inspected



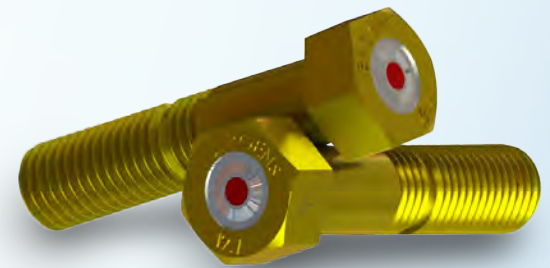
Thread Size A	Load Capacity (lbs)	Standard U-Bar		Long U-Bar		Thread Length C	D	E	F	G	Std U-Bar H	Long U-Bar H	Torque (ft. lbs)
		Part #	B	Part #	B								
1/2-13	2500	23410LC	3.75	—	—	1 1/16	1.20	0.69	0.50	2.56	1 29/32	—	28
1/2-13	2500	23411LC	4.78	23511LC	6.72	3/4	1.50	0.88	0.75	3.52	2 1/2	4 3/8	28
1/2-13	2500	23412LC	4.78	23512LC	6.72	1	1.50	0.88	0.75	3.52	2 1/2	4 3/8	28
1/2-13	2500	23413LC	4.78	23513LC	6.72	1 1/4	1.50	0.88	0.75	3.52	2 1/2	4 3/8	28
5/8-11	4000	23414LC	4.78	23514LC	6.72	1	1.50	0.88	0.75	3.52	2 13/32	4 11/32	60
5/8-11	4000	23415LC	4.78	23515LC	6.72	1 1/4	1.50	0.88	0.75	3.52	2 13/32	4 11/32	60
5/8-11	4000	23416LC	4.78	23516LC	6.72	3/4	1.50	0.88	0.75	3.52	2 13/32	4 11/32	60
3/4-10	5000	23417LC	4.78	23517LC	6.72	1	1.50	0.88	0.75	3.52	2 5/16	4 3/16	100
3/4-10	5000	23418LC	4.78	23518LC	6.72	1 1/2	1.50	0.88	0.75	3.52	2 5/16	4 3/16	100
3/4-10	7000	23420LC	6.52	23520LC	8.11	1	2.31	1.40	1.00	5.14	3 1/8	4 3/16	100
3/4-10	7000	23421LC	6.52	23521LC	8.11	1 1/2	2.31	1.40	1.00	5.14	3 1/8	4 3/16	100

*Temperature variations may apply (-20 °C to 75 °C / -4 °F to 168 °F).

Lift-Check™ Bolt Replacement Kits

Patent pending Lift Check™ Bolt conforms to ASTM A574 standards.

Standard U-Bar Part #	Long U-Bar Part #	Bolt Kit Part #
23410LC	—	23610LC
23411LC	23511LC	23611LC
23412LC	23512LC	23612LC
23413LC	23513LC	23613LC
23414LC	23514LC	23614LC
23415LC	23515LC	23615LC
23416LC	23516LC	23616LC
23417LC	23517LC	23617LC
23418LC	23518LC	23618LC
23420LC	23520LC	23620LC
23421LC	23521LC	23621LC



MANUFACTURING EFFICIENCY

